



## The Per-Fil Clutch/Brake series of auger fillers excel in ruggedness, fill accuracy and versatility.

Precise encoded motion of the auger, peak power start and stop fill-cycle prevent auger slip and drive train wear from effecting the fill accuracy.

OFF-THE-SHELF PLC with touchscreen interface for simple adjustment of all filler parameters. Can be integrated with scale for net weight fill operation or with checkweigher to feedback and adjust the auger dispense counts.

Modular Design assures convenient integration on OEM applications: such as...Vertical and Horizontal f/f/s, pouch, bag, tray and box filling systems.

Design adapts to semi or fully automated production lines running at rates ranging from 1 – 120 cpm, and weights ranging from 100 mg to 50lbs.

Heavy-Duty, rear reduced auger and agitator drive systems make the Per-Fil filler capable of handling the broadest range of products including powders, granules, pastes, creams, liquids and slurries.

The simple filler design provides for easy clean-up, maintenance and rapid changeover.

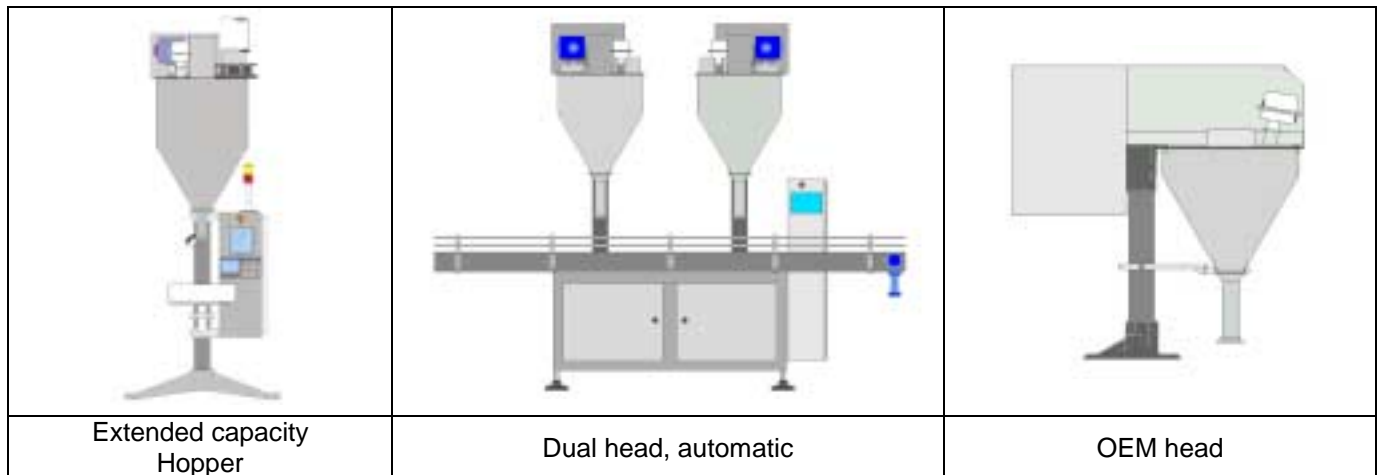
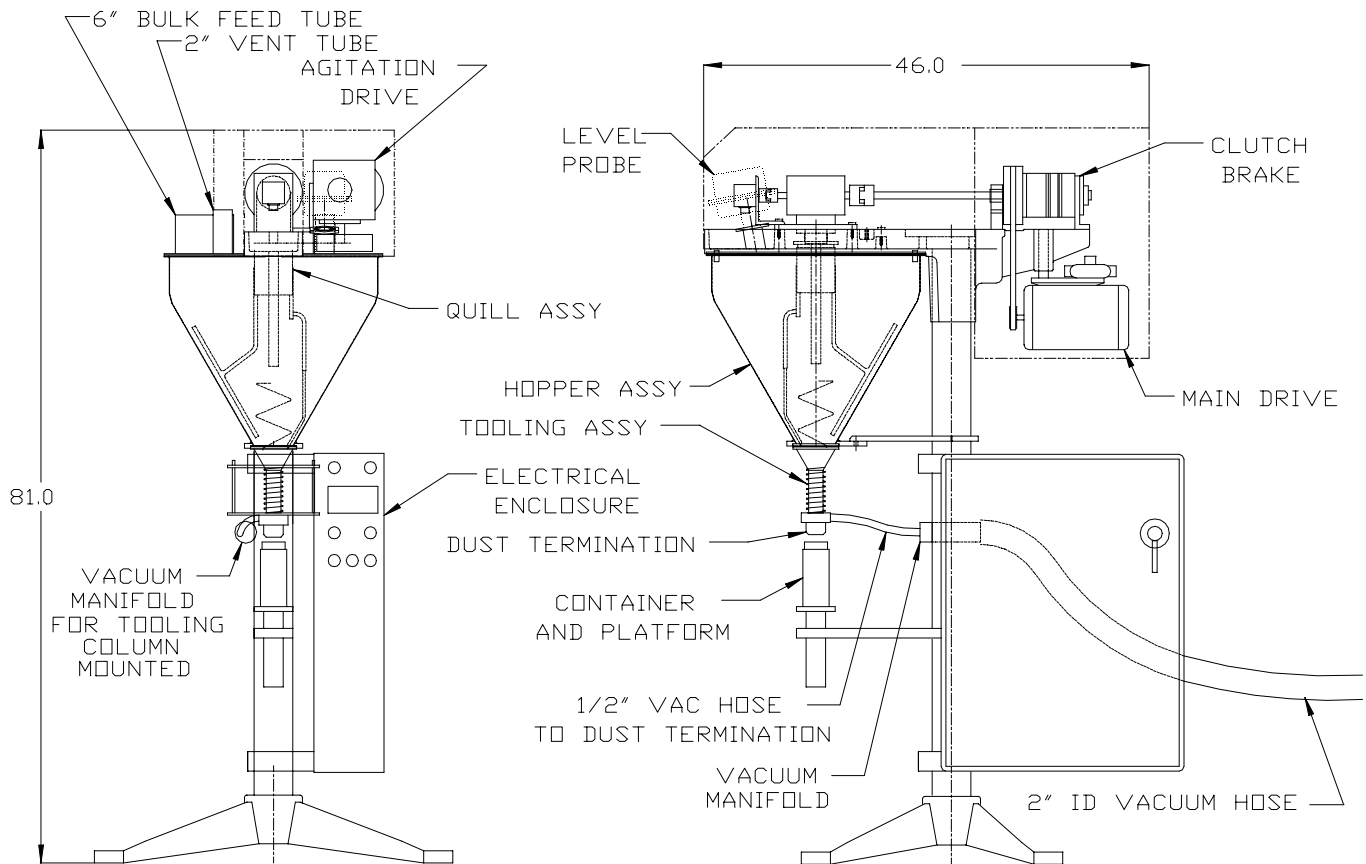
### The PF series Models range:

PF-11	Standard Semi-Automatic, floor pedestal mounted.
PF-11FG	USDA-Approved Good-Grade Portable.
PF-11H	Floor Mounted, Hydraulic Driven
PF-12	Semi-Automatic Bench Mount
PF-14	OEM Fill Head Remote Mount
PF-15	Semi-Automatic Floor Mounted with Container lift station for bottom up/ compression fill.

# Precision Filling Equipment

## Precision Filling Equipment

# PF Series



Per-Fil Industries Inc.  
407 Adams Street - P.O. Box 9 - Riverside, NJ 08075  
(856)-461-5700 - Fax (856)-461-0741  
E-mail: [sales@per-fil.com](mailto:sales@per-fil.com) - [www.per-fil.com](http://www.per-fil.com)

